

Wake up the sentry guarding your gas monitoring system



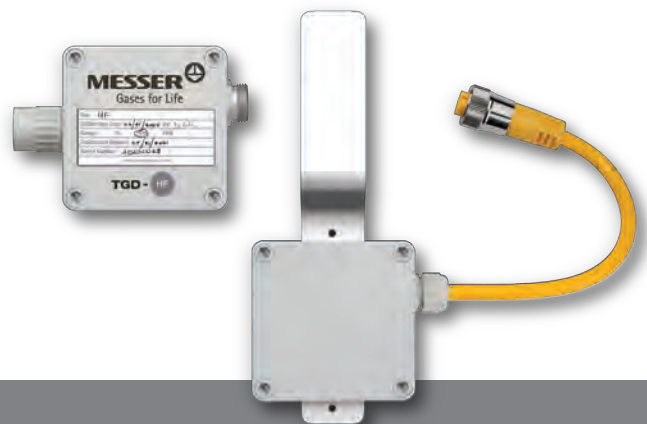
Toxic Gas Detector Retrofit Kit can replace Spectra Gases®/Linde® Series 6400 Gas Detectors used in gas cabinets and 5300 Series Room Purifier/Scrubber Systems. It is supplied with an easy to install retrofit kit comprising of a junction box and mounting bracket. Future calibration, replacement and maintenance will use the standard Messer quick mount system.

Messer Toxic Gas Detectors (TGDs) are calibrated to detect a specific toxic or reactive gas (Messer offers sensors for over 30 gases). The gas sensor head and electronics are packaged in a small polycarbonate enclosure with a NEMA 4X rating (dust and weather proof and suitable for outside installation). Our TGDs incorporate a mounting system that allow them to be mounted to gas cabinets, room scrubbers or on walls. This allows replacement in under a minute without requiring tools.

Messer's TGDs provide initial warnings of a toxic gas releases. When combined with Messer's Gas Management Safety Systems toxic gas cylinders are automatically isolated and any leak is mitigated and safely vented.

Design Features:

- Programmed for specific gas
- NEMA 4X RATING – suitable for outside environments
- 12-month calibration period
- Refurbished and recalibrated detectors available for exchange



TGD—Toxic Gas Detector Retrofit Kit

Flexible Installation Options

The cable gland for existing cable end to enter the junction box is supplied loose. Select left, right or bottom entry knock out access port and install to suit existing wiring configuration. Specify sensor head facing direction (left or right) at the time of order.

12-month calibration & warranty period

Messer warrants our TGDs for 12 months and will replace any that fail within the calibration period. Messer offers to send a reminder to our TGD customers 30 days before the calibration period runs out.

Buy-back program

Messer offers a buy back program. Should a customer wish to participate, they can remove and send the TGD back to Messer in the case it was shipped in. Messer will issue a core credit.

TGD exchange

Refurbished and re-calibrated TGDs are offered at considerable savings over new units.

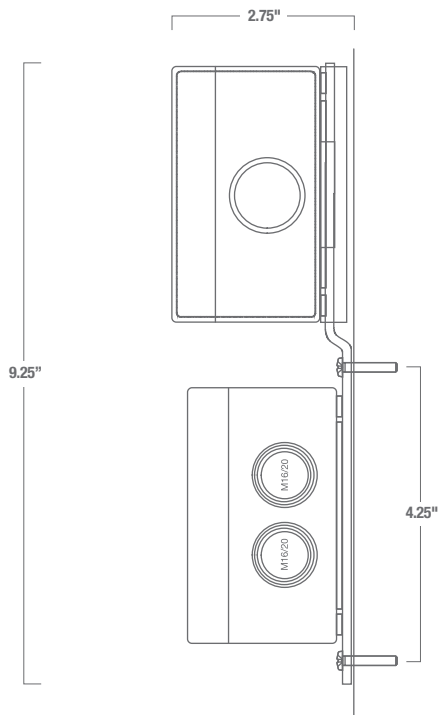
Contact Messer for additional information

regarding our Toxic Gas Detectors and for information about other Messer products and specialty gas services.



Messer Americas

200 Somerset Corporate Blvd
Suite 7000
Bridgewater, NJ 08807
Phone: 1-833-763-7737
electronics.cs@messer-us.com
www.messer-us.com



Part of the Messer World

