

50% More
Media Volume
Fewer
Technician Visits



Messer 50000 Series Scrubber

Replacement for Spectra Gases® / Linde® 31655 Series Scrubber

The Messer 50000 Series Scrubber has 50% more media volume than the competing series scrubber. The diameter is slightly larger than the Spectra offering (6.5" vs 5.8"). This is an advantage in gas cabinets with auto change over with two size 200 laser gas mix cylinders.

The scrubber has sufficient capacity to scrub the contents of two cylinders without breakthrough. This reduces the number of times a technician needs to visit the installation in order to change cylinders and scrubbers.

The Messer 50000 Series Scrubber has an identical base plate as the Spectra Gases® Scrubber with the same captive panel screws to hold it in position in the gas cabinet with the gas VCR connection points in the same location.

Our large scrubber consists of two parts, the primary scrubber and a secondary scrubber with media appropriate to capture components that are not taken up — or are generated as a by product of the reaction in the primary scrubber.

Messer 50000 Series Scrubbers are available with 1/4", 3/8" and 1/2" Swagelok Compression fittings or 1/4" or 1/2" male or female VCR connections can be supplied.

Design Features:

- 50% more media volume than the competing scrubber
- Dual scrubber elements available
- Scrubber media specifically formulated for laser gases

Messer 50000 Series Scrubbers

Scubber Media:

Fluorine Laser Gas Mixes

Laser gas mixtures containing Fluorine are reacted on Alumina to form Aluminum Fluoride. A secondary adsorber filled with Calcium Sulphate is used to capture any HF released as a by-product of the Alumina to Aluminum Fluoride reaction.

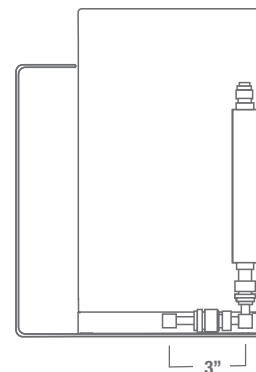
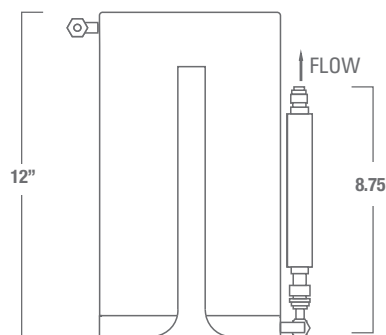
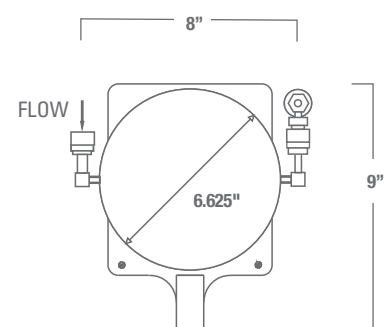
Hydrochloric Acid Laser Gas Mixes

Laser gas mixtures containing HCl are adsorbed on Activated Carbon impregnated with Potassium Iodide, or a bed consisting of 2/3rd Activated Carbon and 1/3rd Granular Potassium Iodide. A secondary adsorber filled with Calcium Sulfate is used to capture any trace Chlorides and Bromides that may be released during adsorption.



Gas Management Solutions

REPLACEMENT SCRUBBER CANISTER



Messer Scrubber Canister Number Selector

(Model Number Sequence Selector – A–B–C–D)

A	B	C	D
Scrubber Series	Media Options:	Inlet Connection:	Outlet Connection:
50 – 50000 Series 13 – 13000 Series	1 – Activated Alumina – no secondary Scrubber 2 – Activated Alumina – with secondary Scrubber 3 – KI Impregnated Activated Carbon – no secondary Scrubber 4 – KI Impregnated Activated Carbon – with secondary Scrubber 5 – 2/3 Activated Carbon 1/3 Granular KI – no secondary Scrubber 6 – 2/3 Activated Carbon 1/3 Granular KI – with secondary Scrubber	1 – 1/4" Swagelok 2 – 3/8" Swagelok 3 – 1/2" Swagelok 4 – 1/4" MVCR 5 – 1/4" FVCR 6 – 1/2" MVCR 7 – 1/2" FVCR	1 – 1/4" Swagelok 2 – 3/8" Swagelok 3 – 1/2" Swagelok 4 – 1/4" MVCR 5 – 1/4" FVCR 6 – 1/2" MVCR 7 – 1/2" FVCR

Contact Messer for additional information

regarding our 50000 Series Scrubber Canisters about other Messer products and specialty gas services.



Messer Americas

200 Somerset Corporate Blvd
Suite 7000
Bridgewater, NJ 08807
Phone: 1-833-763-7737
electronics.cs@messer-us.com
www.messer-us.com



Part of the Messer World